

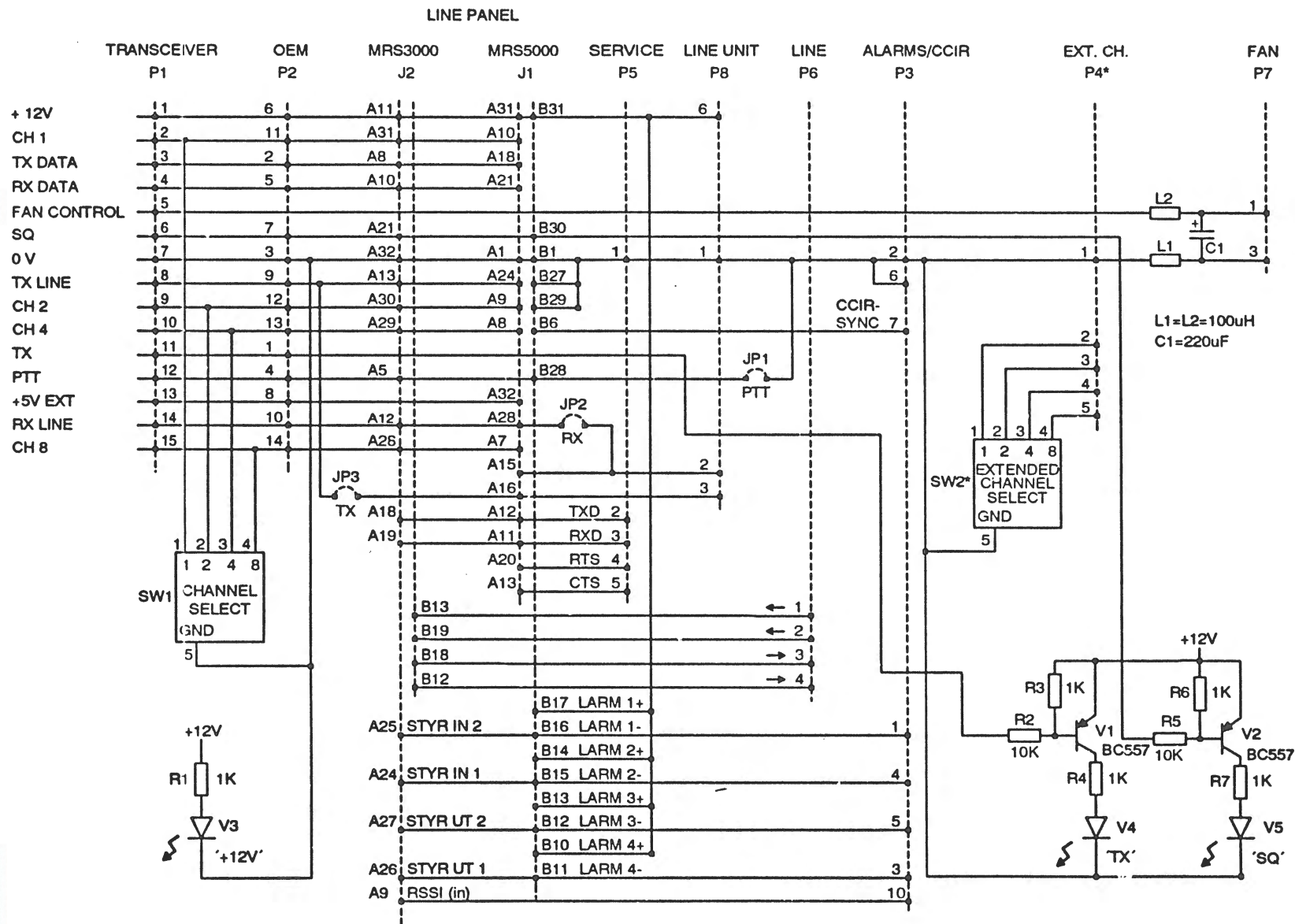
Uppgjord - Prepared K/IECS/YTF/SL
 Dokmans/Godk - Doc respns/Approved K/IECS/YTF
 Benämning *YTF S Lindblad*
 KRETSKORT

Faktsvarig - Subject responsible
 YTF S Lindblad

Nr. - No. 1911-ROA 117 2010 UX
 Datum - Date 940413
 Rev 1
 Title A
 File

CIRCUIT BOARD

Sheet
 Rev



JP1 - JP3 FOR LINK OPERATION

** OPTION

Komponentplacering

Uppgjord - Prepared KI/ECS/Y/TF/SL	Faktaansvarig - Subject responsible Y/TF S Lindblad	Nr - No. 1078-ROA 117 2010 Ux
Dokansv/Godk - Doc response/Approved KI/ECS/Y/TF <i>[Signature]</i>	Datum - Date 940325	Rev A
Benämning KRETSKORT		Title PRINTED BOARD

