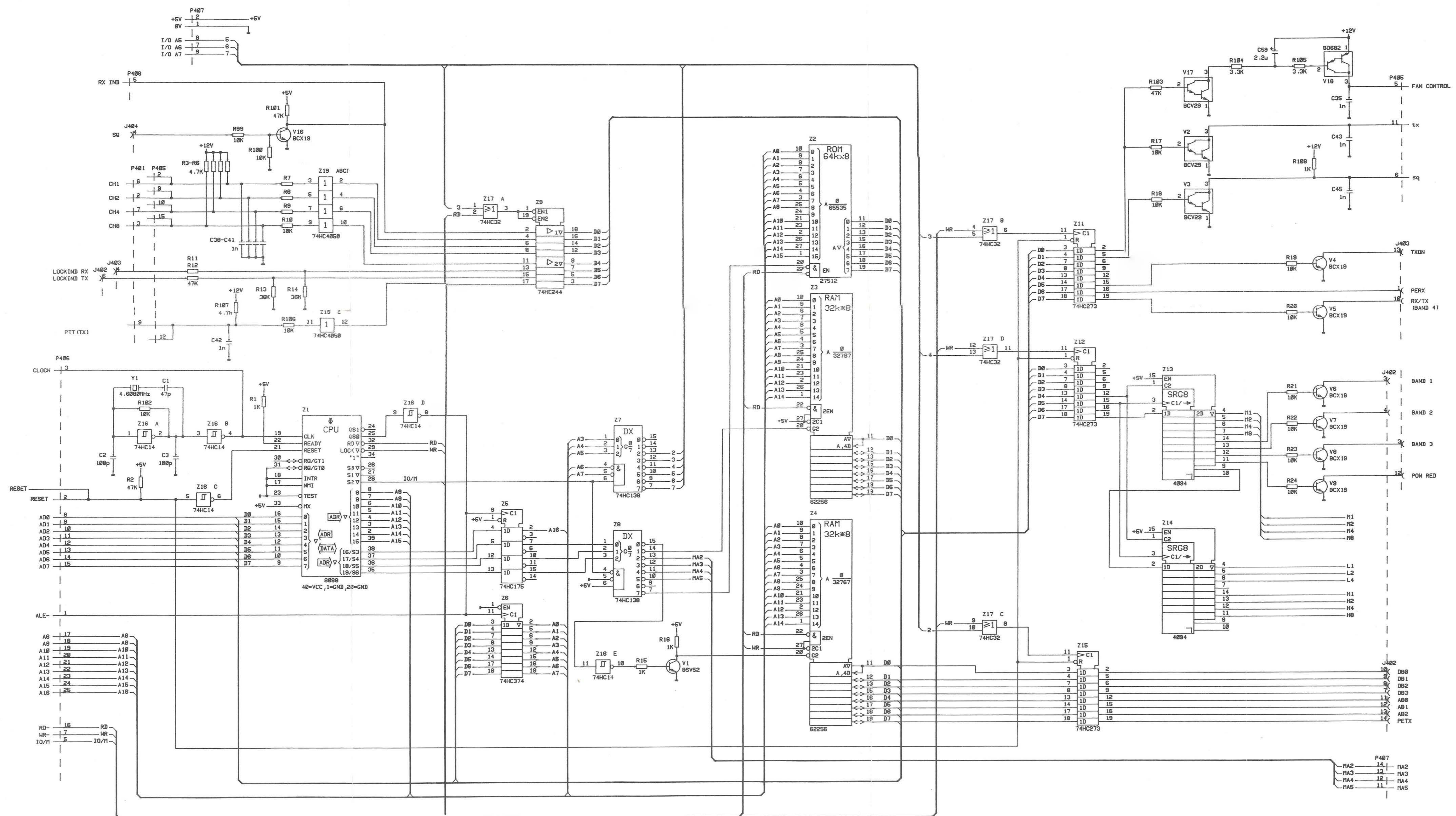


ERICSSON		KRETSSCHEMA		Blad / Sheet	
CIRCUIT DIAGRAM		1 (2)			
Uppgörelse / Prepared	Faktabeskrivning / Subject responsible	Nr. No			
KI/ERA/R/BN M.F.	EU/TIC	1911-ROA 119 8736 UEN			
Dokument / Doc. resp. Approved	Datum / Date	Rev	File		
R/FTC P. Spjut	920114	C	GHF1841H		
Benämning / Title					
KRETSKORT F800 Logic-kort		PRINTED BOARD ASS F800 Logic-board			
Toleranser / Tolerances		Ritningsregler / Drawing rules		Ref	
Sheer		Rev			



34
56789
Reprod