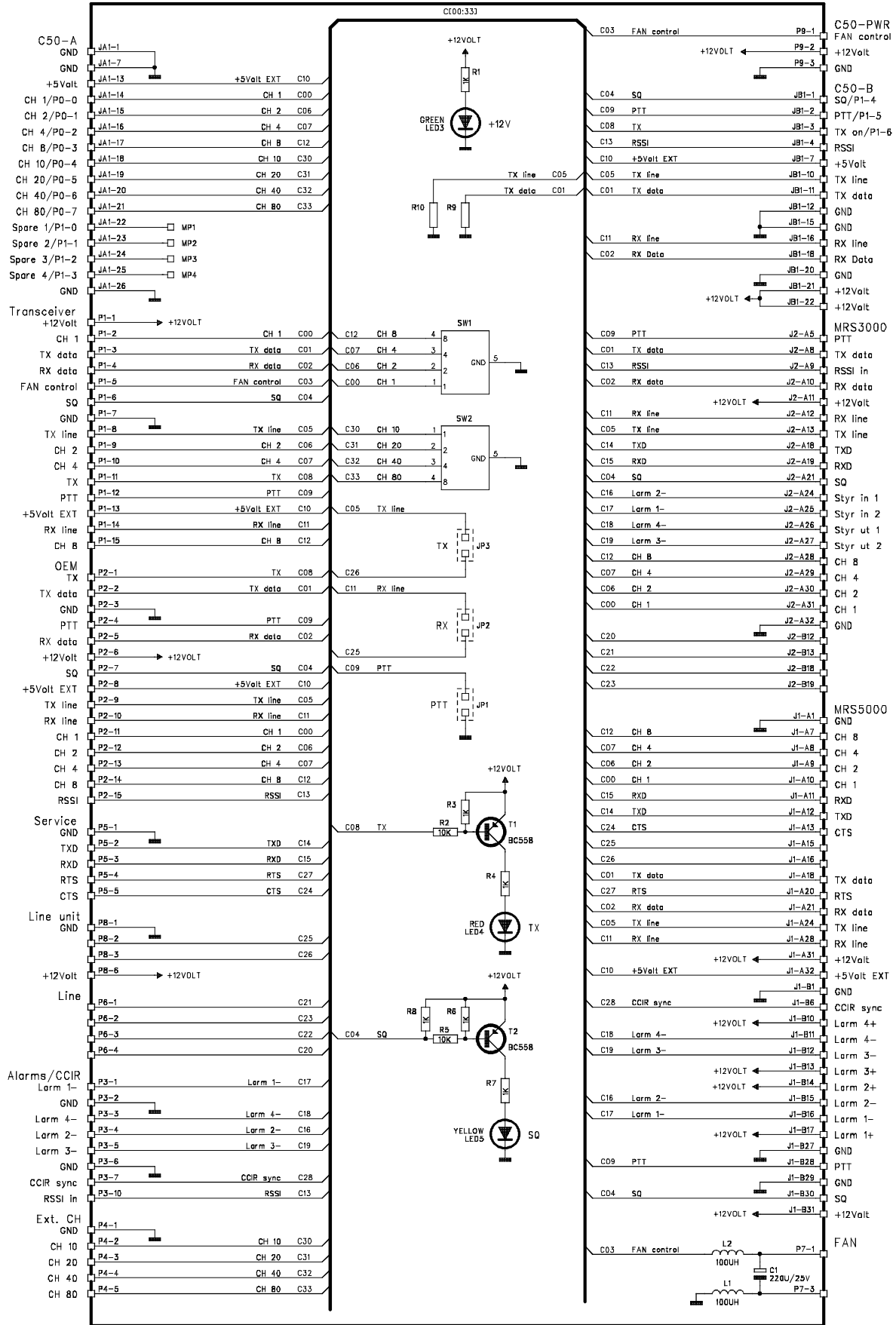


4. F850 Back plane Telenor AB

File/Reference	Prepared	Date	Revised by	Revised date	Revision No.	Approved
Manual for Intern prod dok	TN	22-02-01	TN	22-02-01	1	PA

4.1 Diagram

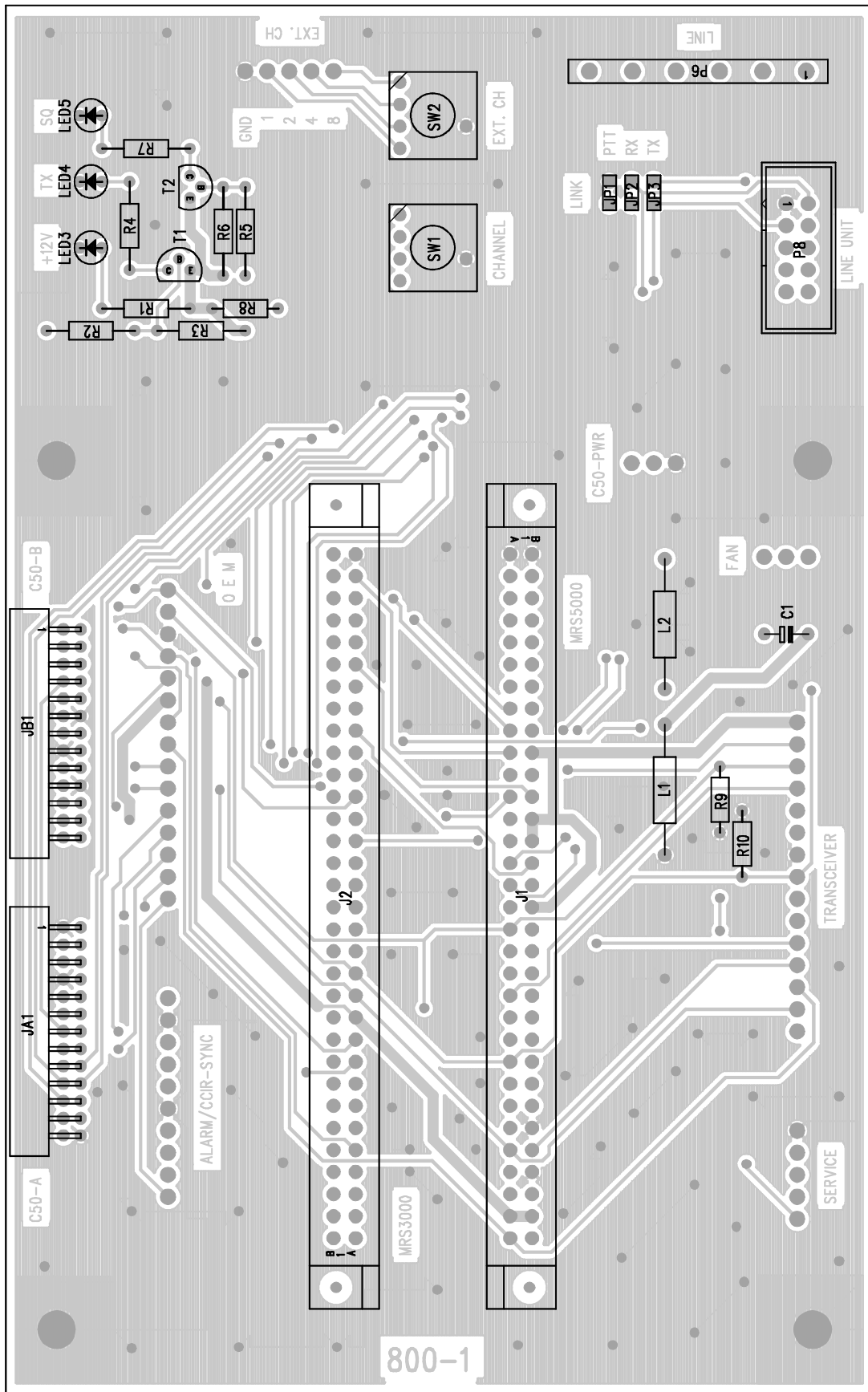


SUBJECT TO CHANGE WITHOUT NOTICE

Date: 19-12-00	Sign: PA	0	NIROS TELECOMMUNICATION A/S Hirsemarken 5, 3520 Forum	F850 Back plane TeleNord AB
Date: 22-2-01	Sign: PA	1		
Drawing No.: 0-3011-03-1	PC. Board No.: 800-1	Unit No.: 3280		

File/Reference	Prepared	Date	Revised by	Revised date	Revision No.	Approved
Manual for Intern prod dok	TN	22-02-01	TN	22-02-01	1	PA

4.2 Componentside

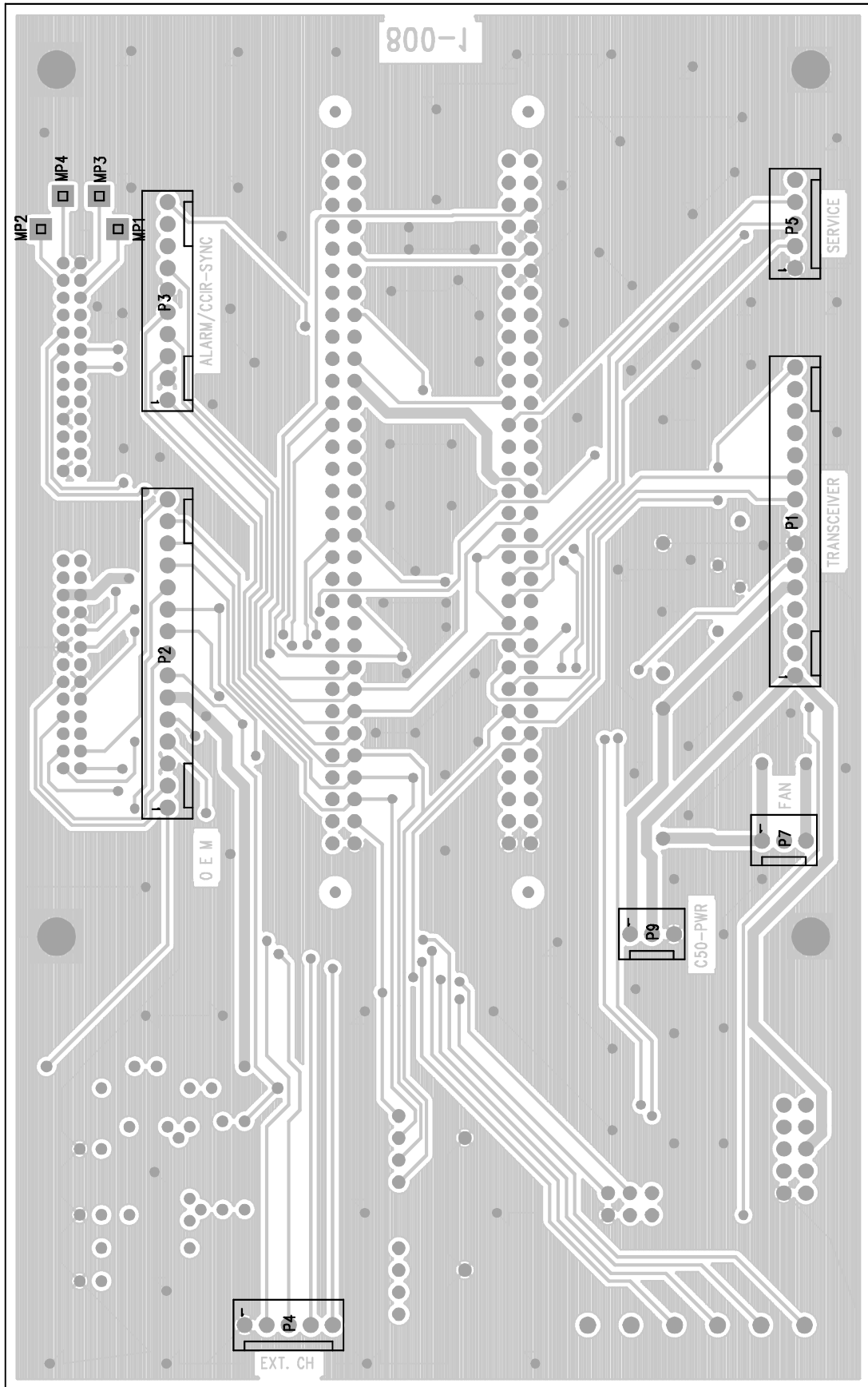


SUBJECT TO CHANGE WITHOUT NOTICE

Date: 19-12-00	Sign: PA	0	NIROS TELECOMMUNICATION A/S Hirsemarken 5, 3520 Forum	F850 Back plane TeleNord AB
Date: 22-2-01	Sign: PA	1		
Drawing No.: 0-3011-05-1	PC. Board No.: 800-1	Unit No.: 3280		

File/Reference	Prepared	Date	Revised by	Revised date	Revision No.	Approved
Manual for Intern prod dok	TN	22-02-01	TN	22-02-01	1	PA

4.3 Wiringside



SUBJECT TO CHANGE WITHOUT NOTICE

Date: 19-12-00	Sign: PA	0	NIROS TELECOMMUNICATION A/S Hirsemarken 5, 3520 Farum	F850 Back plane TeleNord AB
Date: 22-2-01	Sign: PA	1		
Drawing No.: 0-3011-04-1				

File/Reference	Prepared	Date	Revised by	Revised date	Revision No.	Approved
Manual for Intern prod dok	TN	22-02-01	TN	22-02-01	1	PA

4.4 Partlist

PARTLIST FOR F850 Back plane TeleNord AB		DATE	22-2-01
DRAWING NO. 0-3011-03-1		UNIT NO.	3280
Component	Description	Value	Niros No.
R1	Resistor,sfr16	1 Kohm	10136
R2	Resistor,sfr16	10 Kohm	10148
R3	Resistor,sfr16	1 Kohm	10136
R4	Resistor,sfr16	1 Kohm	10136
R5	Resistor,sfr16	10 Kohm	10148
R6	Resistor,sfr16	1 Kohm	10136
R7	Resistor,sfr16	1 Kohm	10136
R8	Resistor,sfr16	1 Kohm	10136
R9	Resistor,sfr16	Not used	
R10	Resistor,sfr16	Not used	
P1	Connector_15_pol	Not used	
P2	Connector_15_pol		83401
P3	Connector_10_pol		83402
P4	Connector_5_pol	Not used	
P5	Connector_5_pol		83403
P6	Connector_6_pol		83405
P7	Connector_3_pol		83404
P8	Connector_2x5_pol		83406
P9	Connector_3_pol		83404
C1	Capacitor,lyt	220 uF/25V	26029
T1	Transistor	BC558	40132
T2	Transistor	BC558	40132
LED3	Light_diode	GREEN	45203
LED4	Light_diode	RED	45202
LED5	Light_diode	YELLOW	45204
L1	Coil	100UH	75967
L2	Coil	100UH	75967
SW1	Switch	DRS3016	81210
SW2	Switch	Not used	
J1	Connector_2x32_pol		83400
J2	Connector_2x32_pol		83400
JP1	Jumper_3x2_pol		83407
JA1	Connector		83395
JB1	Connector		83395
	Pc._board_no. 800-1	1 pcs	95800
p. 1 of 1		PC. Board No. 800-1	

File/Reference	Prepared	Date	Revised by	Revised date	Revision No.	Approved
Manual for Intern prod dok	TN	22-02-01	TN	22-02-01	1	PA