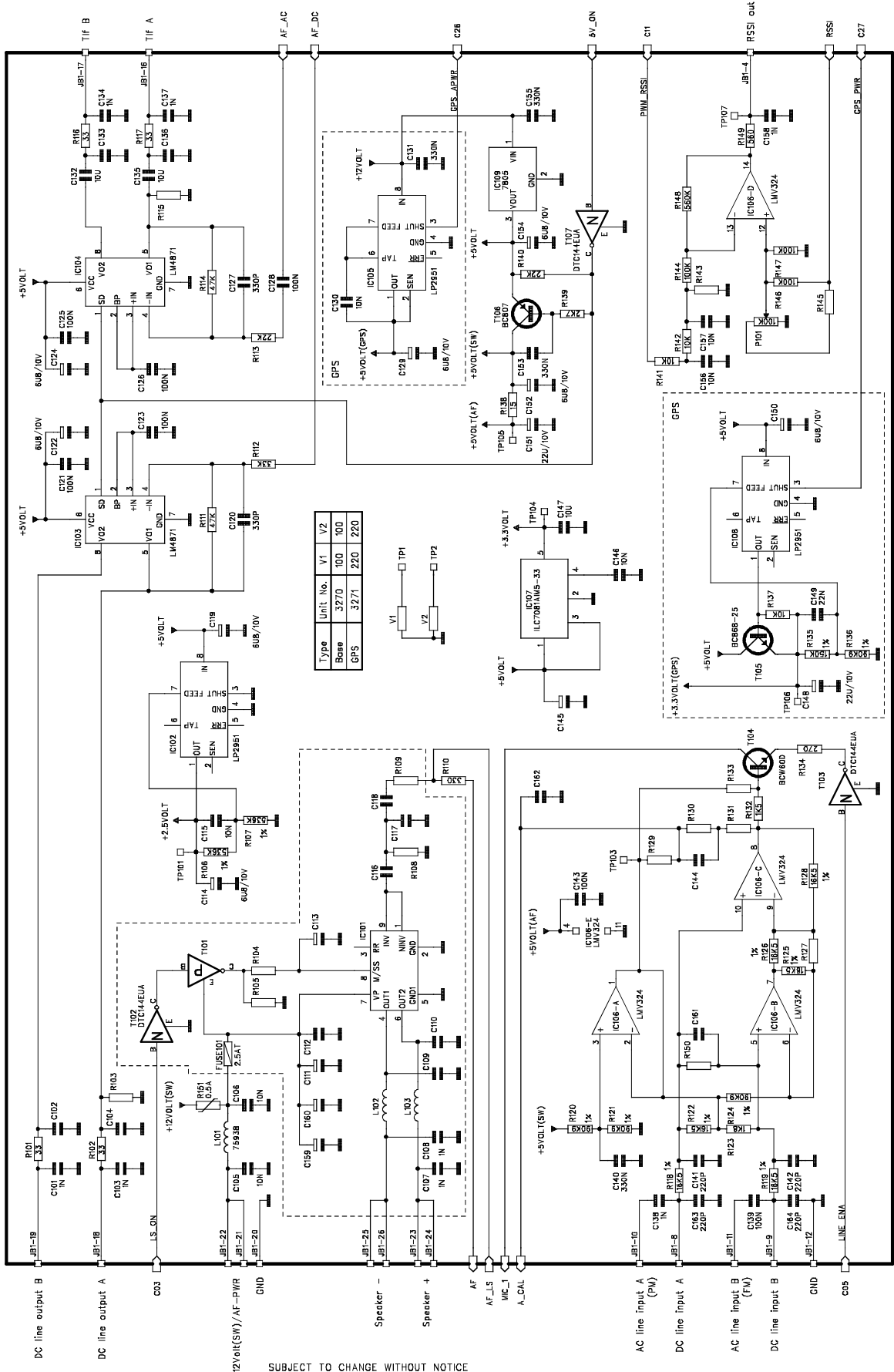


13. Option board TRDX3001

File/Reference	Prepared	Date	Revised by	Revised date	Revision No.	Approved
Manual for TRX3001	TN	08-03-06	TN	14-10-2002	3	PA

13.1 Diagram

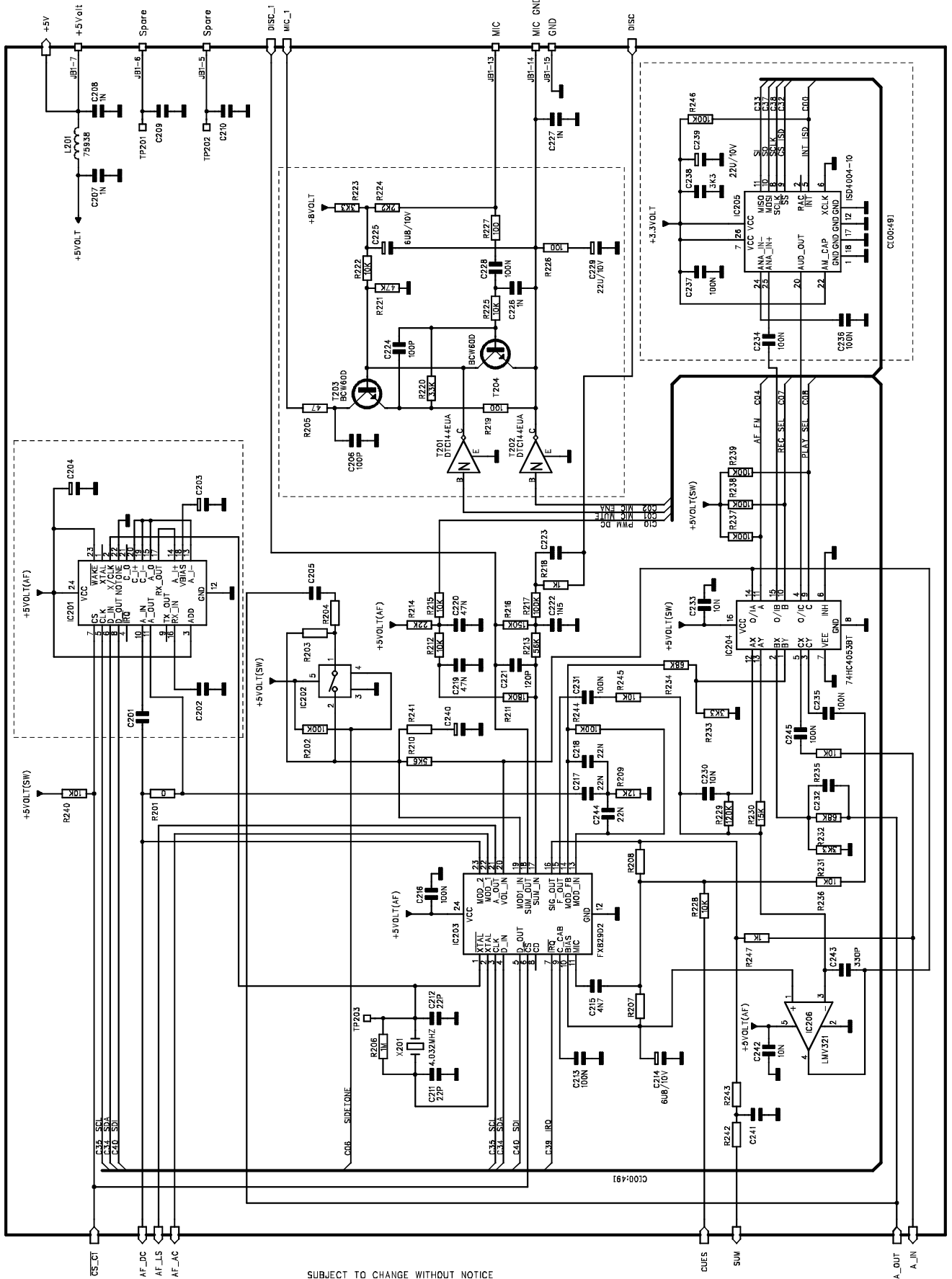


Option board Full size
Option board Base Unit No.: 3270
Option board with GPS Unit No.: 3271

SUBJECT TO CHANGE WITHOUT NOTICE

Date: 9-4-02	Sign: PA	3	NIROS TELECOMMUNICATION A/S Hirsemarken 5, 3520 Farum PC. Board No.: 797-3	Option board TRDX3001
Date: 11-10-02	Sign: PA	4		
Drawing No.: 0-3009-03-4 p 1 of 4				

File/Reference	Prepared	Date	Revised by	Revised date	Revision No.	Approved
Manual for TRX3001	TN	08-03-06	TN	14-10-2002	3	PA



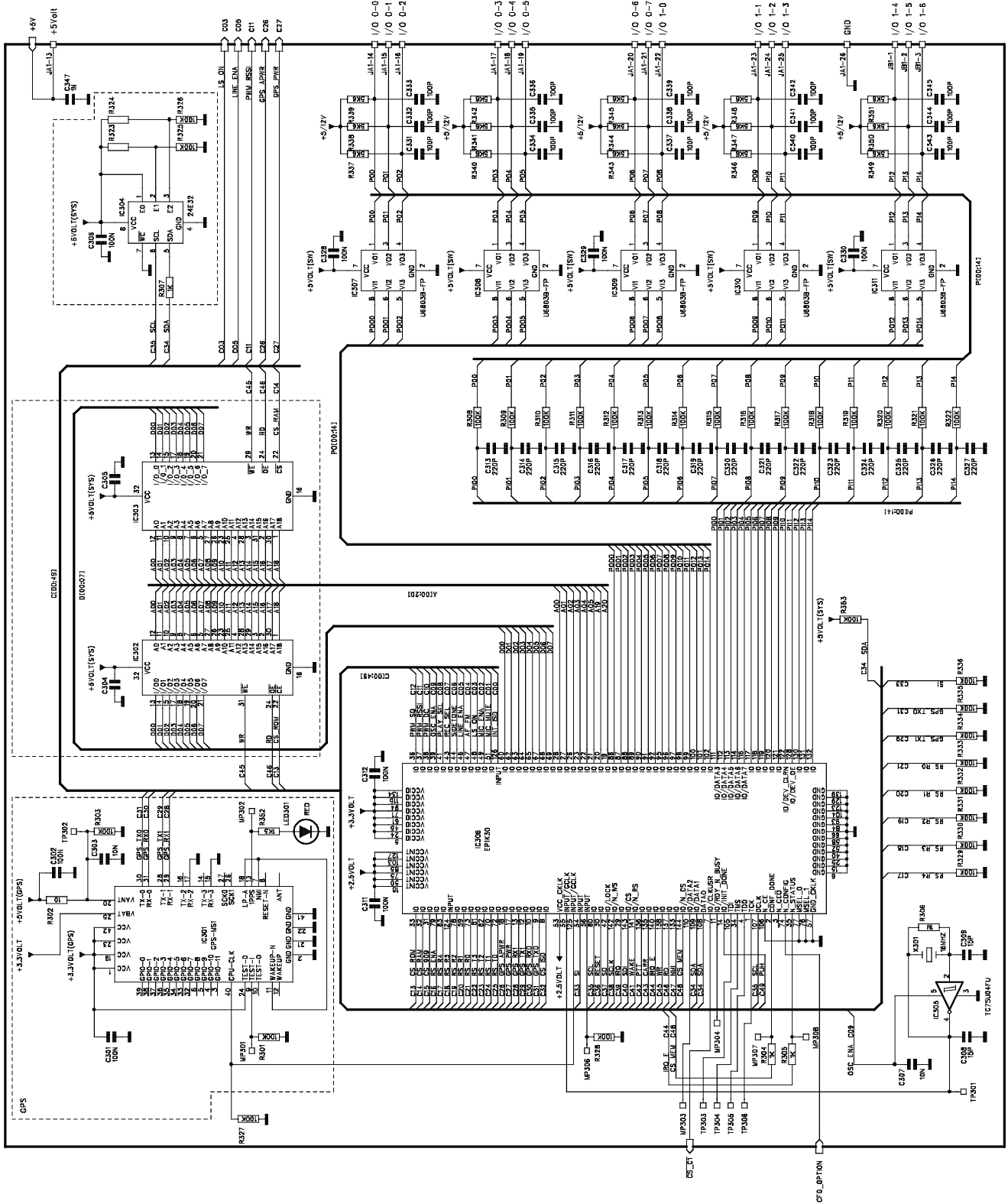
Option board Full size
Option board Base
Option board with GPS

Unit No.: 3270
Unit No.: 3271

SUBJECT TO CHANGE WITHOUT NOTICE

Date: 9-4-02	Sign: PA	3	NIROS TELECOMMUNICATION A/S Hirsemarken 5, 3520 Forum	Option board TRDX3001
Date: 11-10-02	Sign: PA	4		
Drawing No.: 0-3009-03-4 p 2 of 4	PC. Board No.: 797-3			

File/Reference	Prepared	Date	Revised by	Revised date	Revision No.	Approved
Manual for TRX3001	TN	08-03-06	TN	14-10-2002	3	PA



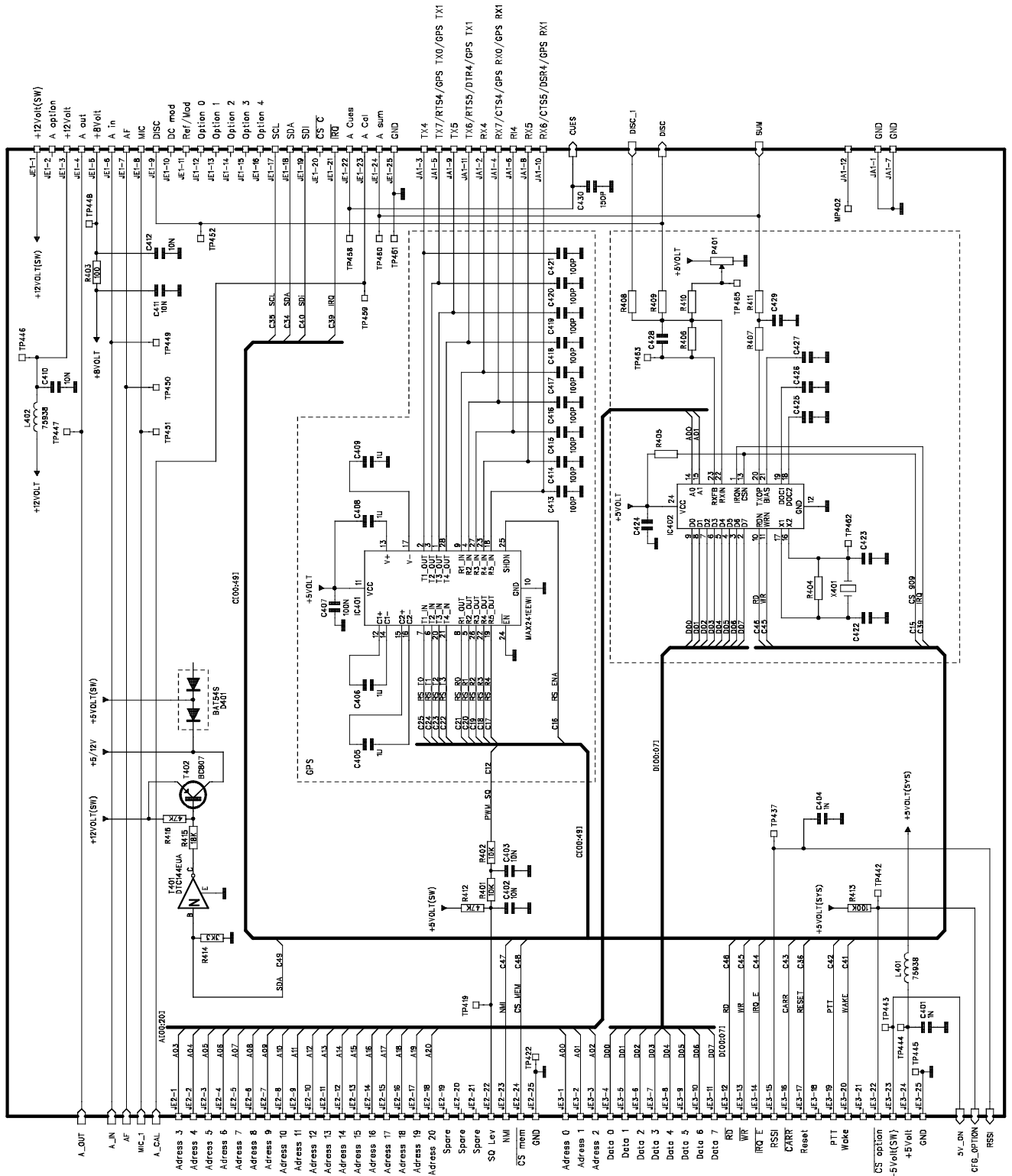
SUBJECT TO CHANGE WITHOUT NOTICE

Option board Full size
Option board Base
Option board with GPS

Unit No.: 3270
Unit No.: 3271

Date: 9-4-02	Sign: PA	3	NIROS TELECOMMUNICATION A/S Hirsemarken 5, 3520 Farum	Option board TRDX3001
Date: 11-10-02	Sign: PA	4		
Drawing No.: 0-3009-03-4 p 3 of 4				

File/Reference	Prepared	Date	Revised by	Revised date	Revision No.	Approved
Manual for TRX3001	TN	08-03-06	TN	14-10-2002	3	PA



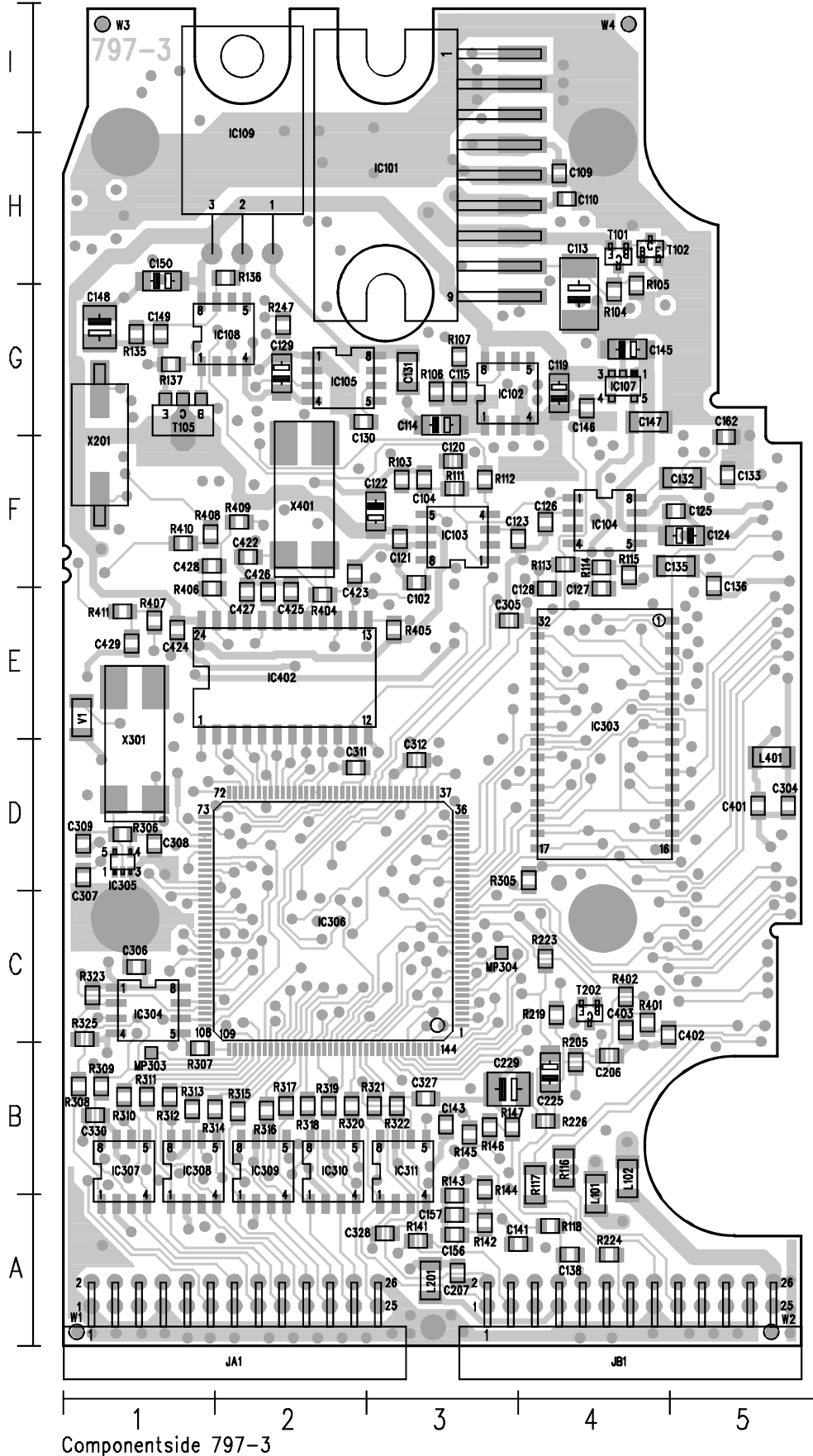
SUBJECT TO CHANGE WITHOUT NOTICE

Option board Full size
Option board Base Unit No.: 3270
Option board with GPS Unit No.: 3271

Date: 9-4-02	Sign: PA	3	NIROS TELECOMMUNICATION A/S Hirsemarken 5, 3520 Forum	Option board TRDX3001
Date: 11-10-02	Sign: PA	4		
Drawing No.: 0-3009-03-4 p 4 of 4	PC. Board No.: 797-3			

File/Reference	Prepared	Date	Revised by	Revised date	Revision No.	Approved
Manual for TRX3001	TN	08-03-06	TN	14-10-2002	3	PA

13.2 Componentside



Componentside 797-3

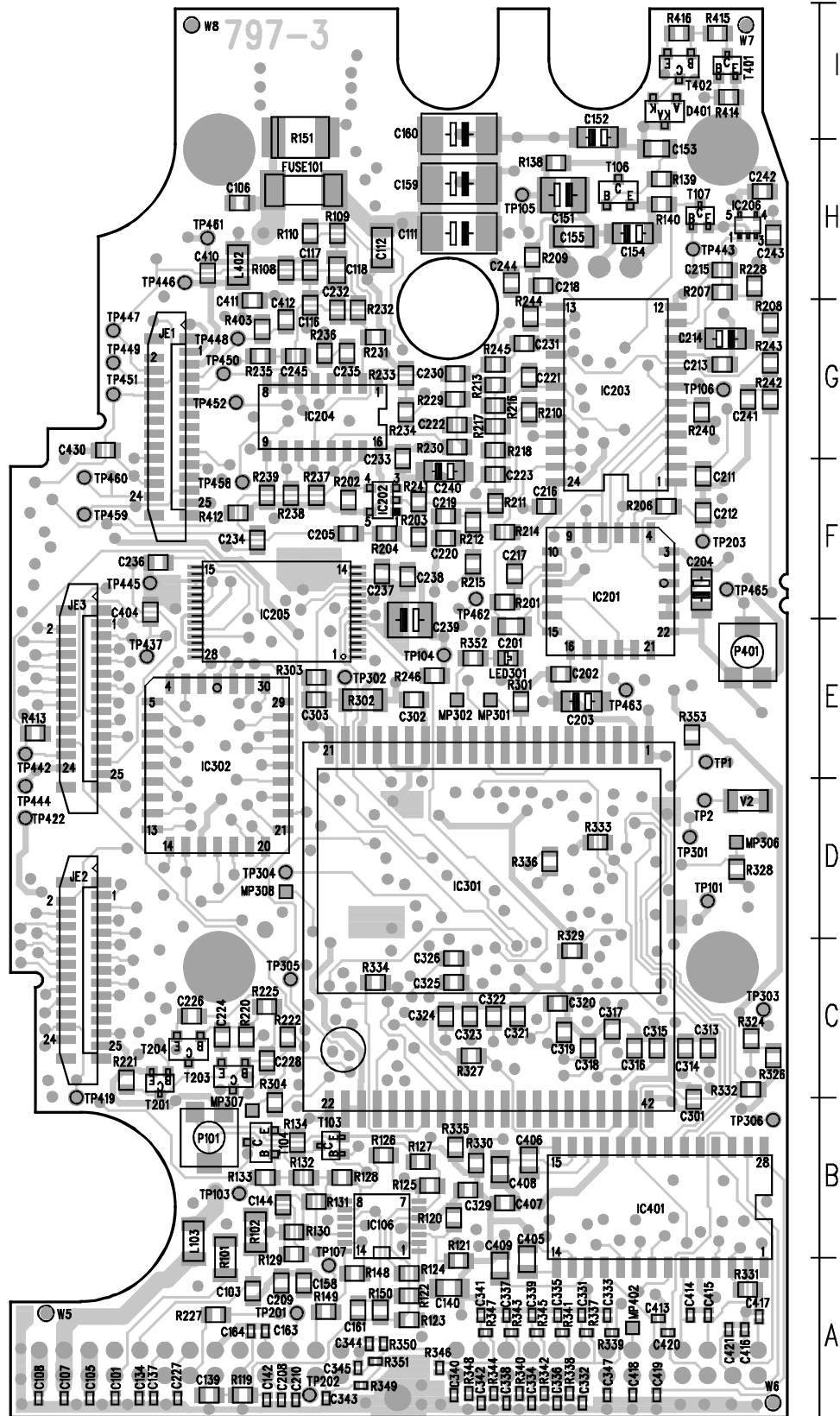
SUBJECT TO CHANGE WITHOUT NOTICE

Option board Full size
Option board Base Unit No.: 3270
Option board with GPS Unit No.: 3271

Date: 9-4-02	Sign: PA	3	NIROS TELECOMMUNICATION A/S Hirsemarken 5, 3520 Forum PC. Board No.: 797-3	Option board TRDX3001
Date: 11-10-02	Sign: PA	4		
Drawing No.: 0-3009-05-4				

File/Reference	Prepared	Date	Revised by	Revised date	Revision No.	Approved
Manual for TRX3001	TN	08-03-06	TN	14-10-2002	3	PA

13.3 Wiringside



Wiringside 797-3

SUBJECT TO CHANGE WITHOUT NOTICE

Option board Full size
Option board Base Unit No.: 3270
Option board with GPS Unit No.: 3271

Date: 9-4-02	Sign: PA	3	NIROS TELECOMMUNICATION A/S Hirsemarken 5, 3520 Farum	Option board TRDX3001
Date: 11-10-02	Sign: PA	4		
Drawing No.: 0-3009-04-4				

File/Reference	Prepared	Date	Revised by	Revised date	Revision No.	Approved
Manual for TRX3001	TN	08-03-06	TN	14-10-2002	3	PA

13.4 Connector/Modul port

JA1-1	GND	S4	JB1-1	I/O 1-4	S3
JA1-2	GND	S4	JB1-2	I/O 1-5	S3
JA1-3			JB1-3	I/O 1-6	S3
JA1-4			JB1-4	RSSI out	S1
JA1-5			JB1-5	Spare	S2
JA1-6			JB1-6	Spare	S2
JA1-7			JB1-7	+5Volt	S2
JA1-8			JB1-8	DC line input A	S1
JA1-9			JB1-9	DC line input B	S1
JA1-10			JB1-10	AC line input A (PM)	S1
JA1-11			JB1-11	AC line input B (FM)	S1
JA1-12	MP402	S4	JB1-12	GND	S1
JA1-13	+5Volt	S3	JB1-13	MIC	S2
JA1-14	I/O 0-0	S3	JB1-14	MIC GND	S2
JA1-15	I/O 0-1	S3	JB1-15	GND	S2
JA1-16	I/O 0-2	S3	JB1-16	Tlf A	S1
JA1-17	I/O 0-3	S3	JB1-17	Tlf B	S1
JA1-18	I/O 0-4	S3	JB1-18	DC line output A	S1
JA1-19	I/O 0-5	S3	JB1-19	DC line output B	S1
JA1-20	I/O 0-6	S3	JB1-20	GND	S1
JA1-21	I/O 0-7	S3	JB1-21	+12Volt(SW)/AF-PWR	S1
JA1-22	I/O 1-0	S3	JB1-22	+12Volt(SW)/AF-PWR	S1
JA1-23	I/O 1-1	S3	JB1-23	Speaker +	S1
JA1-24	I/O 1-2	S3	JB1-24	Speaker +	S1
JA1-25	I/O 1-3	S3	JB1-25	Speaker -	S1
JA1-26	GND	S3	JB1-26	Speaker -	S1
JE1-1	+12Volt(SW)	S4	JE2-1	Adress 3	S4
JE1-2	A option	S4	JE2-2	Adress 4	S4
JE1-3	+12Volt	S4	JE2-3	Adress 5	S4
JE1-4	A out	S4	JE2-4	Adress 6	S4
JE1-5	+8Volt	S4	JE2-5	Adress 7	S4
JE1-6	A in	S4	JE2-6	Adress 8	S4
JE1-7	AF	S4	JE2-7	Adress 9	S4
JE1-8	MIC	S4	JE2-8	Adress 10	S4
JE1-9	DISC	S4	JE2-9	Adress 11	S4
JE1-10	DC mod	S4	JE2-10	Adress 12	S4
JE1-11	Ref/Mod	S4	JE2-11	Adress 13	S4
JE1-12	Option 0	S4	JE2-12	Adress 14	S4
JE1-13	Option 1	S4	JE2-13	Adress 15	S4
JE1-14	Option 2	S4	JE2-14	Adress 16	S4
JE1-15	Option 3	S4	JE2-15	Adress 17	S4
JE1-16	Option 4	S4	JE2-16	Adress 18	S4
JE1-17	SCL	S4	JE2-17	Adress 19	S4
JE1-18	SDA	S4	JE2-18	Adress 20	S4
JE1-19	SDI	S4	JE2-19	Spare	S4
JE1-20	\CS C	S4	JE2-20	Spare	S4
JE1-21	\IRQ	S4	JE2-21	Spare	S4
JE1-22	A Cues	S4	JE2-22	SQ Lev	S4
JE1-23	A Cal	S4	JE2-23	NMI	S4
JE1-24	A Sum	S4	JE2-24	\CS mem	S4
JE1-25	GND	S4	JE2-25	GND	S4

File/Reference	Prepared	Date	Revised by	Revised date	Revision No.	Approved
Manual for TRX3001	TN	08-03-06	TN	14-10-2002	3	PA

JE3-1	Adress 0	S4	Modul port	S1	S2	S3	S4
JE3-2	Adress 1	S4	A_CAL	X			X
JE3-3	Adress 2	S4	A_IN		X		X
JE3-4	Data 0	S4	A_OUT		X		X
JE3-5	Data 1	S4	AF	X			X
JE3-6	Data 2	S4	AF_AC	X	X		
JE3-7	Data 3	S4	AF_DC	X	X		
JE3-8	Data 4	S4	AF_LS	X	X		
JE3-9	Data 5	S4	CFG_OPTION			X	X
JE3-10	Data 6	S4	CUES		X		X
JE3-11	Data 7	S4	\CS_C1		X	X	
JE3-12	\RD	S4	DISC		X		X
JE3-13	\WR	S4	DISC_1		X		X
JE3-14	\IRQ E	S4	MIC_1	X	X		X
JE3-15	RSSI	S4	RSSI	X			X
JE3-16	\CARR	S4	SUM		X		X
JE3-17	Reset	S4	5V_ON	X			X
JE3-18			+5V		X	X	
JE3-19	PTT	S4					
JE3-20	Wake	S4					
JE3-21							
JE3-22	\CS option	S4					
JE3-23	+5Volt(SW)	S4					
JE3-24	+5Volt	S4					
JE3-25	GND	S4					

File/Reference	Prepared	Date	Revised by	Revised date	Revision No.	Approved
Manual for TRX3001	TN	08-03-06	TN	14-10-2002	3	PA